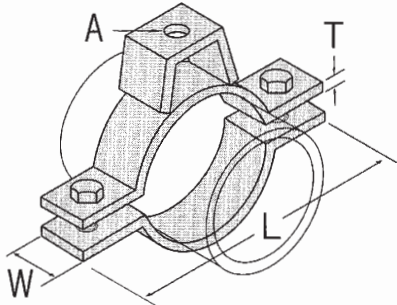




VERSABAR CORPORATION

Pipe Suspension Devices

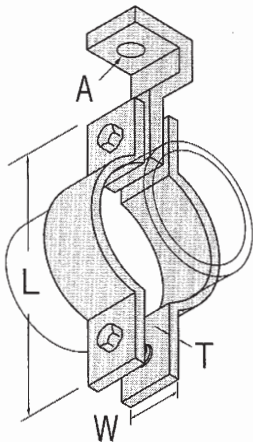
VP-10000 Series Rod Suspension Pipe Clamp



Part #	Pipe Size	Dim "T"		Dim "L"		Dim "A"		Dim "W"		Wgt. Per "C"	
		In.	mm	In.	mm	In.	mm	In.	mm	lbs.	kg.
VP-10075	3/4"	1/8"	(3.1)	3-5/16"	(84)	7/16"	(11)	1"	(25.4)	46#	(21)
VP-10100	1"	1/8"	(3.1)	3-3/4"	(95)	7/16"	(11)	1"	(25.4)	51#	(23)
VP-10125	1-1/4"	1/8"	(3.1)	4"	(101)	7/16"	(11)	1"	(25.4)	52#	(24)
VP-10150	1-1/2"	1/8"	(3.1)	4-5/16"	(109)	7/16"	(11)	1"	(25.4)	54#	(25)
VP-10200	2"	1/4"	(6.3)	5-1/2"	(140)	7/16"	(11)	1"	(25.4)	134#	(61)
VP-10250	2-1/2"	1/4"	(6.3)	6-3/8"	(162)	9/16"	(14)	1"	(25.4)	157#	(71)
VP-10300	3"	1/4"	(6.3)	7"	(178)	9/16"	(14)	1"	(25.4)	168#	(76)
VP-10350	3-1/2"	1/4"	(6.3)	7-9/16"	(192)	9/16"	(14)	1"	(25.4)	197#	(89)
VP-10400	4"	1/4"	(6.3)	8-5/8"	(219)	9/16"	(14)	1-1/4"	(32)	270#	(123)
VP-10500	5"	1/4"	(6.3)	9-3/4"	(247)	11/16"	(17)	1-1/4"	(32)	308#	(140)
VP-10600	6"	3/8"	(9.5)	11-5/8"	(295)	3/4"	(19)	1-1/2"	(38)	609#	(276)
VP-10800	8"	3/8"	(9.5)	13-7/8"	(352)	7/8"	(22)	1-1/2"	(38)	713#	(324)

Electro-Galvanized Finish (2" through 5" can be manufactured in stainless)

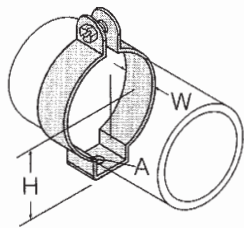
VP-11000 Series Rod Suspension Pipe Clamp



Part #	Pipe Size	Dim "T"		Dim "L"		Dim "A"		Dim "W"		Wgt. Per "C"	
		In.	mm	In.	mm	In.	mm	In.	mm	lbs.	kg.
VP-11075	3/4"	1/8"	(3.1)	3-5/16"	(84)	7/16"	(11)	1"	(25.4)	71#	(32)
VP-11100	1"	1/8"	(3.1)	3-3/4"	(95)	7/16"	(11)	1"	(25.4)	76#	(35)
VP-11125	1-1/4"	1/8"	(3.1)	4"	(101)	7/16"	(11)	1"	(25.4)	77#	(35)
VP-11150	1-1/2"	1/8"	(3.1)	4-5/16"	(109)	7/16"	(11)	1"	(25.4)	79#	(36)
VP-11200	2"	1/4"	(6.3)	5-1/2"	(140)	7/16"	(11)	1"	(25.4)	166#	(75)
VP-11250	2-1/2"	1/4"	(6.3)	6-3/8"	(162)	9/16"	(14)	1"	(25.4)	179#	(81)
VP-11300	3"	1/4"	(6.3)	7"	(178)	9/16"	(14)	1"	(25.4)	190#	(86)
VP-11350	3-1/2"	1/4"	(6.3)	7-9/16"	(192)	9/16"	(14)	1"	(25.4)	203#	(92)
VP-11400	4"	1/4"	(6.3)	8-5/8"	(219)	9/16"	(14)	1-1/4"	(32)	320#	(145)
VP-11500	5"	1/4"	(6.3)	9-3/4"	(247)	11/16"	(17)	1-1/4"	(32)	353#	(160)
VP-11600	6"	3/8"	(9.5)	11-5/8"	(295)	3/4"	(19)	1-1/2"	(38)	637#	(289)
VP-11800	8"	3/8"	(9.5)	13-7/8"	(352)	7/8"	(22)	1-1/2"	(38)	837#	(380)

Electro-Galvanized Finish (2" through 5" can be manufactured in stainless)

VP-13000 Series Conduit Hangers



Part #	Nom. Size	Stock Ga.		Dim "H"		Dia. "A"		Dim "W"		Wgt. Per "C"	
		In.	mm	In.	mm	In.	mm	In.	mm	lbs.	kg.
VP-13050	1/2	18ga.	(1.3)	7/8"	(22)	9/32"	(7.1)	3/4"	(19)	7#	(3)
VP-13075	3/4	18ga.	(1.3)	31/32"	(24)	9/32"	(7.1)	7/8"	(22)	8#	(3.6)
VP-13100	1	18ga.	(1.3)	1-1/4"	(32)	9/32"	(7.1)	7/8"	(22)	10#	(4.5)
VP-13125-R	1-1/4-R	18ga.	(1.3)	1-13/32"	(36)	9/32"	(7.1)	7/8"	(22)	10#	(4.5)
VP-13125-E	1-1/4-E	18ga.	(1.3)	1-1/4"	(32)	9/32"	(7.1)	7/8"	(22)	10#	(4.5)
VP-13150	1-1/2	16ga.	(1.6)	1-5/8"	(41)	11/32"	(8.7)	1"	(25)	17#	(7.7)
VP-13200	2	16ga.	(1.6)	1-7/8"	(48)	11/32"	(8.7)	1-1/4"	(32)	25#	(11)
VP-13250	2-1/2	16ga.	(1.6)	2-1/16"	(52)	11/32"	(8.7)	1-1/4"	(32)	26#	(12)
VP-13300	3	16ga.	(1.6)	2-1/2"	(64)	11/32"	(8.7)	1-1/4"	(32)	33#	(15)
VP-13350	3-1/2	16ga.	(1.6)	2-3/4"	(70)	11/32"	(8.7)	1-1/4"	(32)	36#	(16)
VP-13400	4	16ga.	(1.6)	3-1/2"	(89)	11/32"	(8.7)	1-1/4"	(32)	40#	(18)

Electro-Galvanized Finish