

VERSABAR CORPORATION

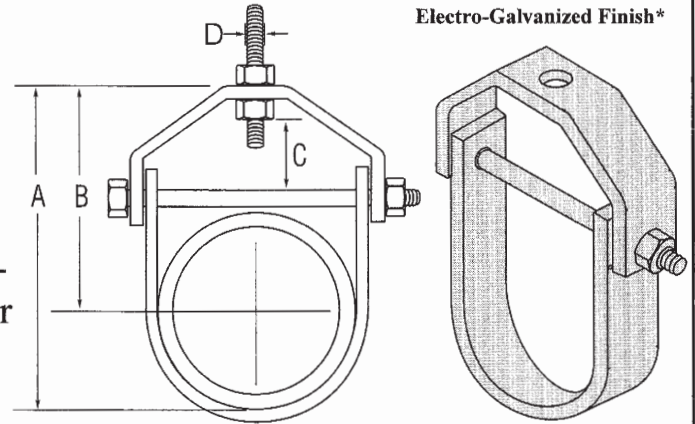
CLEVIS and SIDE OPENING HANGERS



VP-2000 Series Clevis Hangers

Standard adjustable clevis hanger

For: Non-Insulated, stationary pipe lines.
 General piping, heating and sprinkler installations. *Also available: Stainless, Hot-Dipped, and Black H.R.P.O., (Larger sizes for up to 30" rigid pipe can be supplied).



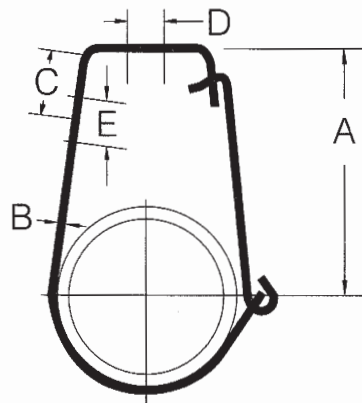
Part#	Pipe Size	Upper Stock Size		Lower Stock Size		Dim "A"		Dim "B"		Dim "C"		Dim "D"		Wgt. "C"	
		In.	mm	In.	mm	In.	mm	In.	mm	In.	mm	In.	mm	Lbs.	Pcs. kg.
VP-2050	1/2"	1/8"x1"	(3.2x25.4)	1/8"x1"	(3.2x25.4)	2-1/8"	(54)	1-11/16"	(43)	7/16"	(11)	3/8"	(9.5)	30#	(14)
VP-2075	3/4"	1/8"x1"	(3.2x25.4)	1/8"x1"	(3.2x25.4)	2-7/16"	(62)	1-7/8"	(48)	1/2"	(12.7)	3/8"	(9.5)	32#	(15)
VP-2100	1"	1/8"x1"	(3.2x25.4)	1/8"x1"	(3.2x25.4)	2-13/16"	(71)	2-1/8"	(54)	5/8"	(15.8)	3/8"	(9.5)	36#	(17)
VP-2125	1-1/4"	1/8"x1"	(3.2x25.4)	1/8"x1"	(3.2x25.4)	3-7/16"	(87)	2-9/16"	(65)	7/8"	(22.2)	3/8"	(9.5)	42#	(19)
VP-2150	1-1/2"	9ga x1"	(3.8x25.4)	1/8"x1"	(3.2x25.4)	4"	(102)	3"	(76)	1-1/16"	(26.9)	3/8"	(9.5)	55#	(26)
VP-2200	2"	9ga x1"	(3.8x25.4)	1/8"x1"	(3.2x25.4)	4-7/8"	(124)	3-11/16"	(94)	1-5/8"	(41.2)	3/8"	(9.5)	60#	(28)
VP-2250	2-1/2"	3/16"x1-1/4"	(4.8x32)	3/16"x1-1/4"	(4.8x32)	6-1/8"	(156)	4-11/16"	(119)	2"	(50.8)	1/2"	(12.7)	115#	(53)
VP-2300	3"	3/16"x1-1/4"	(4.8x32)	3/16"x1-1/4"	(4.8x32)	6-9/16"	(166)	4-3/4"	(121)	1-3/4"	(44.4)	1/2"	(12.7)	132#	(60)
VP-2350	3-1/2"	3/16"x1-1/4"	(4.8x32)	3/16"x1-1/4"	(4.8x32)	6-15/16"	(176)	4-15/16"	(125)	1-3/4"	(44.4)	1/2"	(12.7)	156#	(71)
VP-2400	4"	1/4"x1-1/4"	(6.4x32)	3/16"x1-1/4"	(4.8x32)	7-13/16"	(199)	5-9/16"	(142)	1-15/16"	(49.2)	5/8"	(15.8)	190#	(87)
VP-2500	5"	1/4"x1-1/4"	(6.4x32)	3/16"x1-1/4"	(4.8x32)	9"	(229)	6-3/16"	(158)	1-3/4"	(44.4)	5/8"	(15.8)	240#	(109)
VP-2600	6"	1/4"x1-1/2"	(6.4x38)	3/16"x1-1/2"	(4.8x38)	10-1/8"	(257)	6-13/16"	(173)	1-7/8"	(47.6)	3/4"	(19)	320#	(146)
VP-2800	8"	1/4"x1-3/4"	(6.4x44)	3/16"x1-3/4"	(4.8x44)	12-5/8"	(321)	8-5/16"	(212)	2-1/8"	(53.9)	7/8"	(22)	500#	(227)

VP-3000 Series Side Opening Hangers

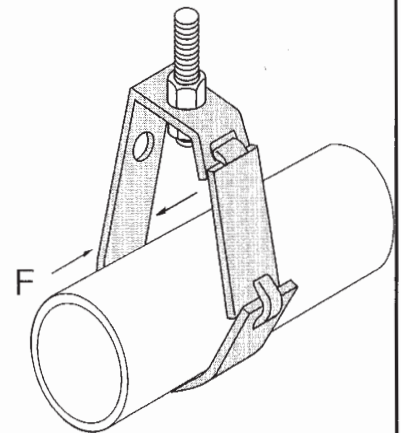
Swing hinge design

Can be supported by rod or bolted directly to wall.

Hanger is rigid enough to hold pipe prior to closure.



Electro-Galvanized Finish



Part#	Pipe Size	Dim "A"		Dim "B"		Dim "C"		Dim "D"		Dim "E"		Dim "F"		Wgt. "C"	
		In.	mm	In.	mm	In.	mm	In.	mm	In.	mm	In.	mm	Lbs.	pcs. kg.
VP-3050	1/2"	2-7/16"	(61.9)	1/8"	(3.2)	1"	(25.4)	3/8"	(9.5)	13/32"	(10.3)	3/4"	(19.1)	17#	8
VP-3075	3/4"	2-1/2"	(63.5)	1/8"	(3.2)	1"	(25.4)	3/8"	(9.5)	13/32"	(10.3)	3/4"	(19.1)	19#	9
VP-3100	1"	2-9/16"	(65.1)	1/8"	(3.2)	1"	(25.4)	3/8"	(9.5)	13/32"	(10.3)	3/4"	(19.1)	22#	10
VP-3125	1-1/4"	2-11/16"	(68.3)	1/8"	(3.2)	1"	(25.4)	3/8"	(9.5)	13/32"	(10.3)	3/4"	(19.1)	26#	12
VP-3150	1-1/2"	2-7/8"	(73)	1/8"	(3.2)	1"	(25.4)	3/8"	(9.5)	13/32"	(10.3)	3/4"	(19.1)	26#	12
VP-3200	2"	3-5/16"	(84.1)	1/8"	(3.2)	1"	(25.4)	3/8"	(9.5)	13/32"	(10.3)	3/4"	(19.1)	31#	14
VP-3250	2-1/2"	3-7/8"	(98.4)	1/8"	(3.2)	1-1/8"	(28.6)	1/2"	(12.7)	9/16"	(14.3)	1-1/4"	(31.7)	66#	30
VP-3300	3"	4-11/16"	(105)	1/8"	(3.2)	1-1/8"	(28.6)	1/2"	(12.7)	9/16"	(14.3)	1-1/4"	(31.7)	72#	33
VP-3350	3-1/2"	4-5/8"	(117)	1/8"	(3.2)	1-1/8"	(28.6)	1/2"	(12.7)	9/16"	(14.3)	1-1/4"	(31.7)	84#	38
VP-3400	4"	5"	(127)	3/16"	(4.8)	1-1/8"	(28.6)	5/8"	(15.9)	9/16"	(14.3)	1-1/4"	(31.7)	178#	81